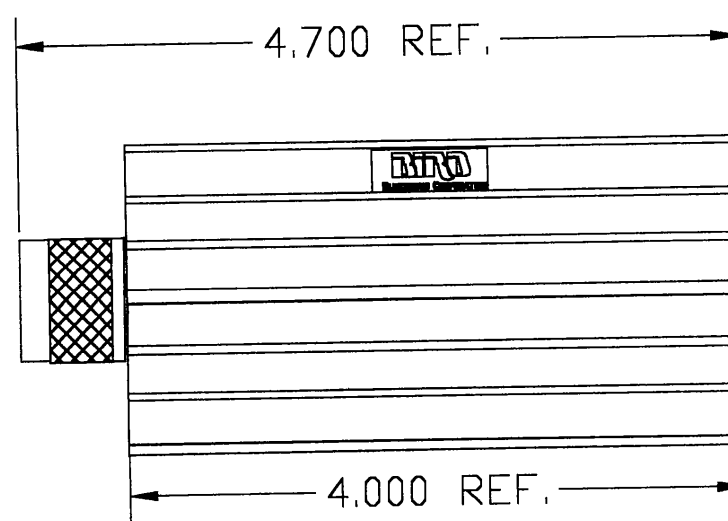
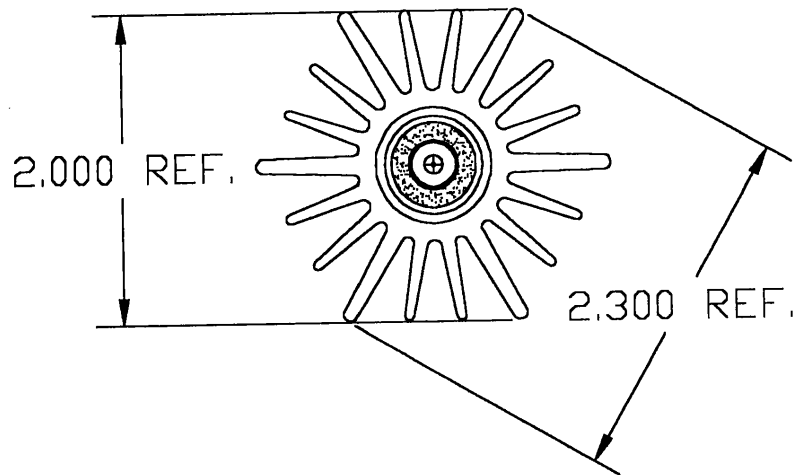


PART NUMBER

25-T-MN

REV. A 12-18-97

ECN # 0185



## SPECIFICATIONS:

25 WATT COAXIAL TERMINATION

POWER RATING: 25 WATTS MAXIMUM @ 40° C.  
30 WATTS MAXIMUM @ 25° C.

CONNECTOR: N-TYPE, MALE

FREQUENCY RANGE & VSWR: DC TO 1GHz AT 1.10:1 MAX.  
1GHz TO 4GHz AT 1.25:1 MAX.

IMPEDANCE: 50 OHMS, NOMINAL

AMBIENT TEMPERATURE RANGE: -40° C TO +40° C

OPERATING POSITION: ANY

COOLANT: DRY (CONVECTION COOLED)

FINISH: BLACK ANODIZED COOLING FINS, SILVER OR TRI-ALLOY PLATED CONNECTORS

NOMINAL SIZE: 4.7" L X 2.3" DIA. (WITH N-TYPE MALE CONNECTOR)

WEIGHT: APPROX. 7 OZ.

UNLESS OTHERWISE SPEC-  
IFIED TOLERANCES ARE  
.XX = +/- .015  
.XXX = +/- .005SCALE  
DIM. ARE IN INCHESAPPROVED BY *JMD*

DATE 2-23-98

BIRD COMPONENT PRODUCTS INC.

DESCRIPTION

FINAL ASSEMBLY, 25 WATT TERMINATION (N-TYPE MALE)

DWG. BY

PMD

DATE

12-18-97

PART NUMBER

25-T-MN

REV.

A